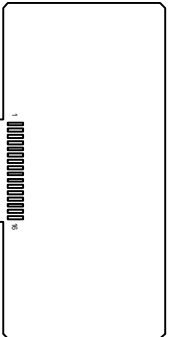
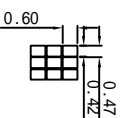
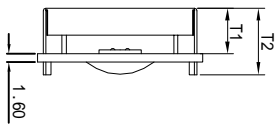
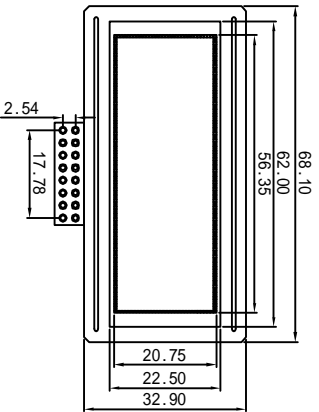


SCM12032A



Mechanical thickness

Item	T1	T2	UNIT
LCD module thickness	3.7	6.2	mm
Without or EL backlight	---	---	mm
With edge LED backlight	---	---	mm
With LED bottom backlight	5.1	7.6	mm

PERFORMANCE FEATURES

LC FLUID:	STN/POSITIVE
SUPPLY VOLTAGE:	VDD=5.0V
POLARIZER:	TRANSFLECTIVE 1/32DUTY 1/5BIAS
VIEWING ANGLE:	6:00
COLOR:	YG/BLUE
BACKLIGHT:	LED
TEMPERATURE RANGE:	-20° C TO 70° C

Mechanical data

Item	Standard	Unit
Module size	68.1*32.9	mm
View area	62.0*22.5	mm
Dot size	0.42*0.60	mm
Dot pitch	0.47*0.65	mm

PIN	1	2	3	4	5	6	7	8	9
SIGNAL	VSS	YDD	V0	Rs	R/W	E1	E2	/RST	DB0
PIN	10	11	12	13	14	15	16		
SIGNAL	DB1	DB2	DB3	DB4	DB5	DB6	DB7		

Long Hui Electronic Technology Co., Ltd. Xiamen.

FAX: 0592-3899857 Tel: 0592-5786153

DRAWN BY:	DOC: SCM12032A	
CHECKED BY:	DWG NO: SCM12032A	
APPROVED BY:	DATE: 2005.06.18	SHEET NO: 1 OF 1