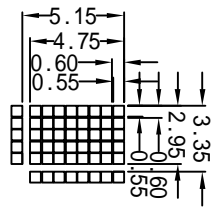
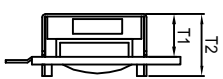
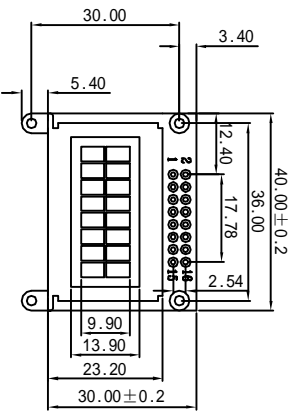


SCM0802A



Pin	Symbol
1	VSS
2	VDD
3	V0
4	RS
5	RW
6	E
7~14	DB0~DB7
15	A
16	K

Electrical characteristics

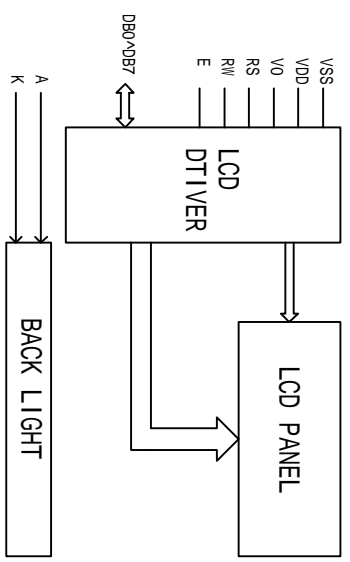
Item	Symbol	Condition	Stand			Unit
			Min	Typ	Max	
Operating voltage		VDD=5.0V	4.7	5.0	5.5	V
			2.7	3.3	5.3	
			---	1.5	4	mA
operating current	IDD	VDD=5.0V	---	4.3	---	mA
Recommended LCD driving voltage for normal temp module	VLCD	TA=+25℃	---	4.5	---	V
		TA=0℃	---	4.5	---	
		TA=-20℃	---	4.8	---	
Backlight voltage	VLED	Y-G	---	4.2	5.0	
Backlight current	ILED	VF=4.2V	---	50	---	mA
Operating temperature	T0	-----	---	70	---	℃
Storage temperature	TS	-----	-30	---	80	

Mechanical thickness

LCD module thickness	T1	T2	UNIT
White or EL backlight	3.7	8.5	mm
With edge LED backlight	---	---	mm
With LED bottom backlight	9.0	13.0	mm

Display character address code
 Display position 1 2 3 4 5 6 7 8

DDRAM address 00 01 02 03 04 05 06 07H
 DDRAM address 40 41 42 43 44 45 46 47H



PERFORMANCE FEATURES

LC FLUID:	STN/POSITIVE
SUPPLY VOLTAGE:	VDD=5.0V/3.3V
POLARIZER:	TRANSFLECTIVE 1/16DUTY 1/5BIAS
VIEWING ANGLE:	6:00
COLOR:	YELLOW
BACKLIGHT:	LED-YG
TEMPERATURE RANGE:	-20° C TO 70° C

Mechanical data

Item	Standard	Unit
Module size	40.0*35.4	mm
View area	30.4*13.9	mm
Dot size	0.55*0.55	mm
Character size	2.95*4.75	mm

Long Hui Electronic Technology Co., Ltd. Xiamen.
 FAX: 0592-3899857 Tel: 0592-5786153

DRAWN BY:	DOC: SCM0802A	
CHECKED BY:	DWG NO: SCM0802A	
APPROVED BY:	DATE: 2005.06.18	SHEET NO: 1 of 1