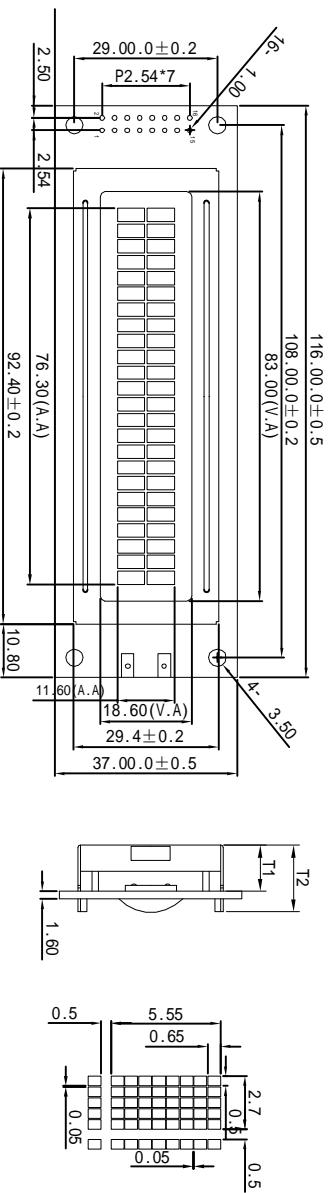
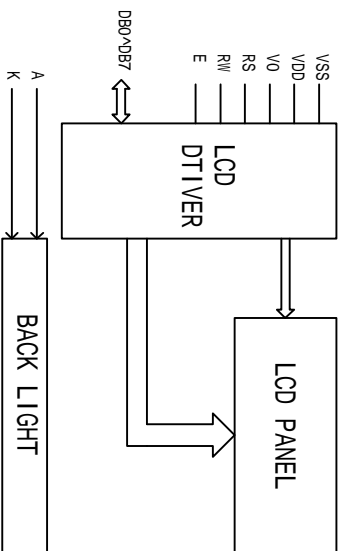


SCM2402B



Pin	Symbol
1	VSS
2	VDD
3	V0
4	RS
5	RW
6	E
7~14	DB0~DB7
15	A
16	K



Display character address code
 Display position 1 16.17...24
 DDRAM address 00 0F 10...17
 DDRAM address 40 4F 51...57

Mechanical thickness

LCD module thickness	T1	T2	UNIT
With out or EL backlight	5.0	9.6	mm
With edge LED backlight	---	---	mm
With LED bottom backlight	9.6	14.2	mm

PERFORMANCE FEATURES	
LC FLUID:	STN/POSITIVE
SUPPLY VOLTAGE:	VDD=5.0V/3.3V
POLARIZER:	TRANSFLECTIVE 1/16DUTY 1/5BIAS
VIEWING ANGLE:	6:00
COLOR:	YG/BLUE
BACKLIGHT:	LED
TEMPERATURE RANGE:	-20° C TO 70° C

Mechanical data		
Item	Standard	Unit
Module size	116.0*37.0	mm
View area	83.0*18.6	mm
Dot size	0.50*0.65	mm
Character size	2.70*5.55	mm

Long Hui Electronic Technology Co., Ltd. Xiamen.
 FAX: 0592-3899857 Tel: 0592-5786153

DRAWN BY:	DOC: SCM2004A	
CHECKED BY:	DWG NO: SCM2004A	
APPROVED BY:	DATE: 2005.06.18	SHEET NO: 1 OF 1